



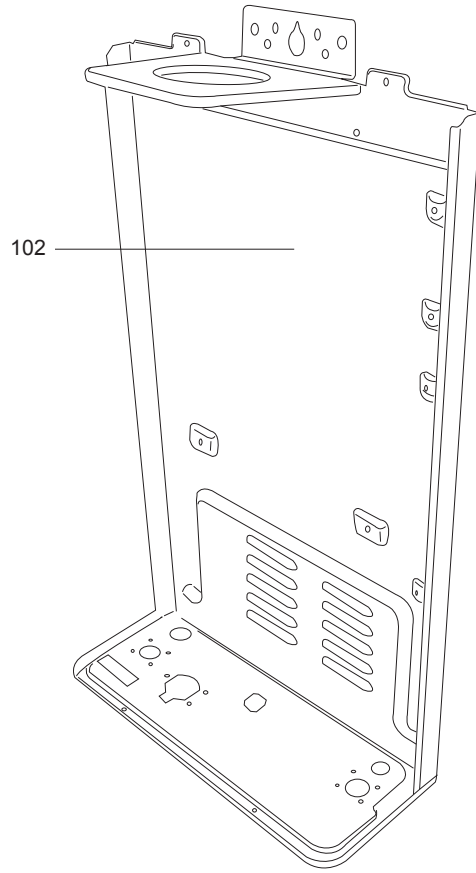
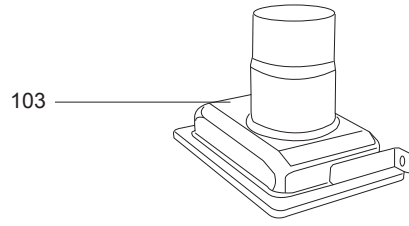
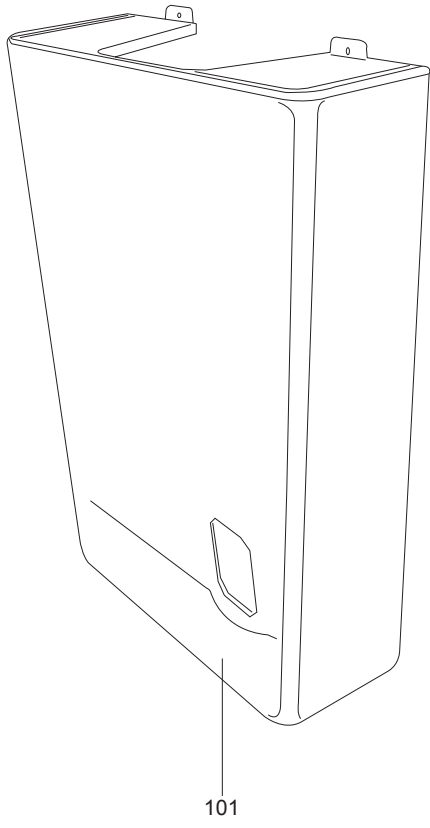
SPARE PARTS EXPLODED VIEW  
INSTANTANEOUS GAS WATER HEATERS  
Model  
**MARCO POLO M2 FF**

R8216791-03 - 04/06/2014

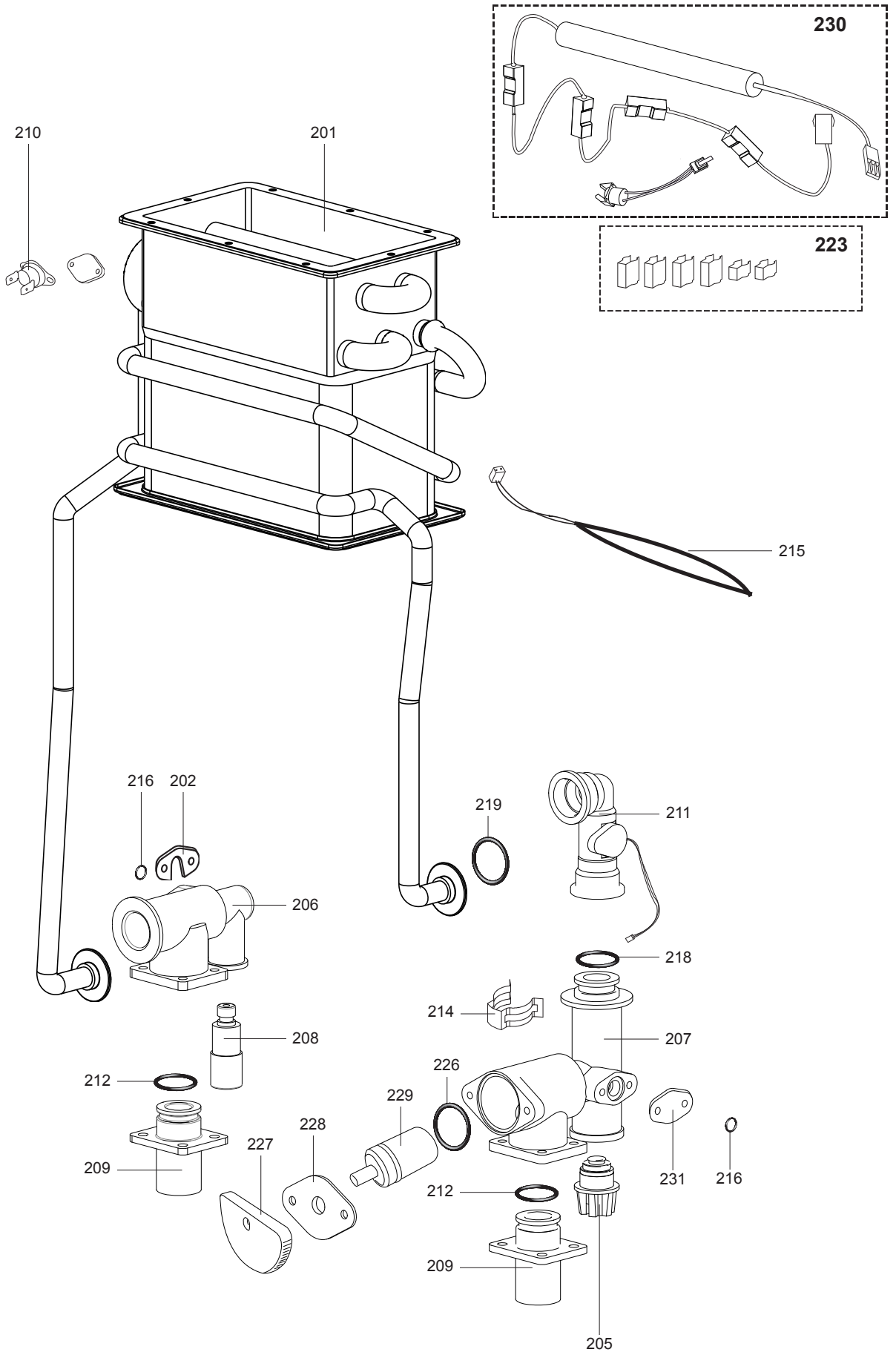
MARCO POLO M2 FF

Instantaneous Gas Water Heaters

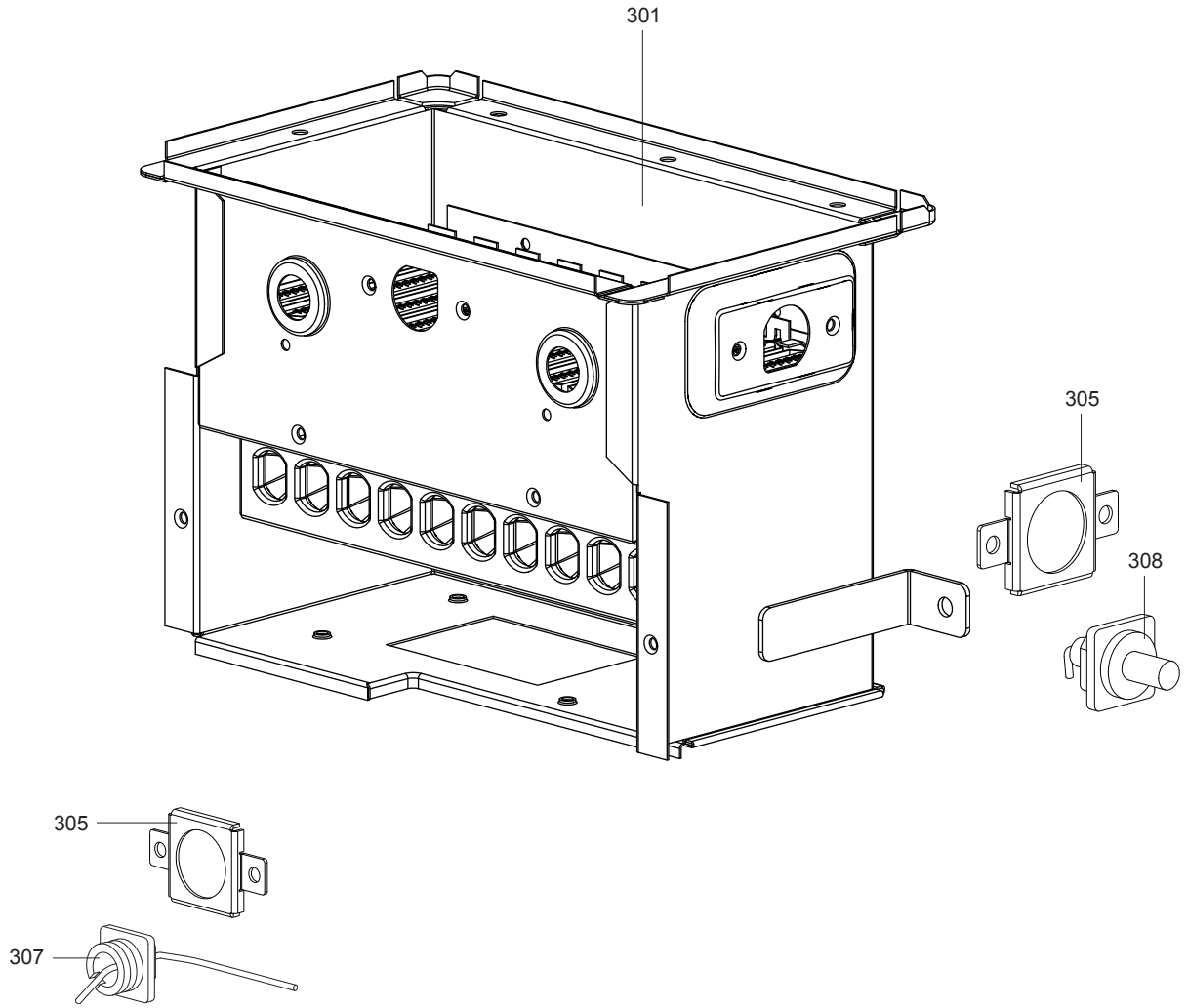
1	3612021	MARCO POLO M2 10L FF NG	12-2011	-
Col	Reference	Model type	Begin	End



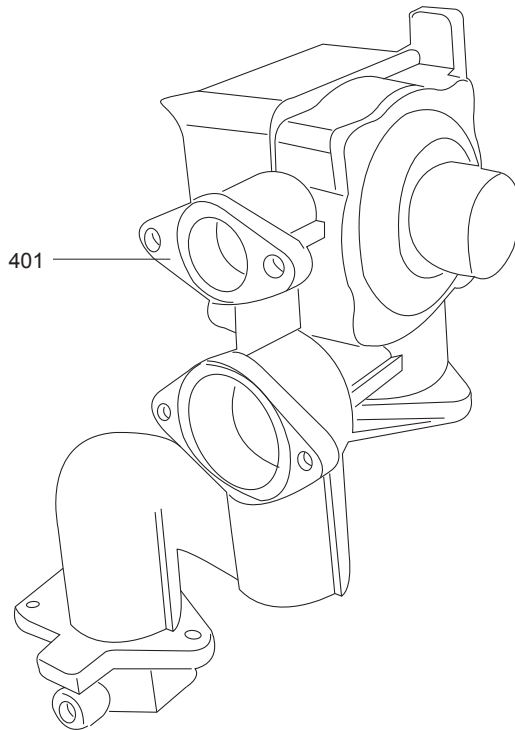
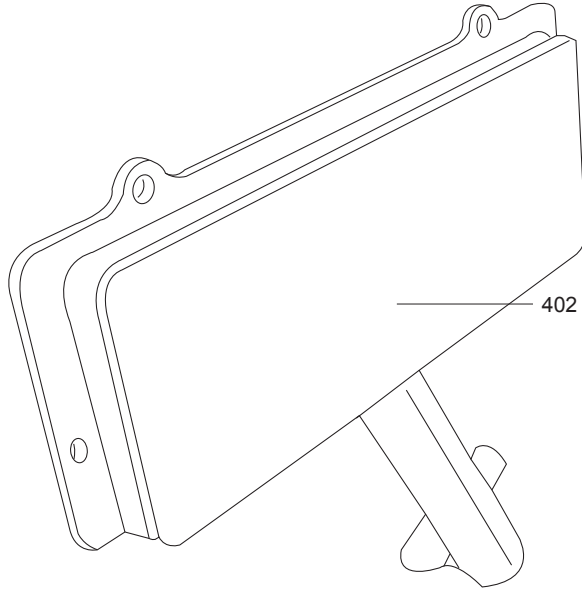




☉⇒	Description	Manf. Pt. N	Type	10 L																		31	
				1	2	3	4	5	6	7	8	9	10	11	12	13	14	15	16	17	18	From	to
0200	SEALED CASE																						
0201	HEAT EXCHANGER	65158338		●																			
0202	TEMPERATURE SENSOR SUPPORT	65158153		●																			
0205	FILTER	65158326		●																			
0206	PIPE (D.H.W. OUTLET)	65158318		●																			
0207	PIPE (COLD WATER INLET)	65158319		●																			
0208	SAFETY VALVE (8 BAR)	65158062		●																			
0209	HYDRAULIC CONNECTOR	65158310		●																			
0210	THERMOSTAT (SAFETY)	65158036		●																			
0211	WATER FLOW SENSOR	65158269		●																			
0212	O-RING FOR WATER INLET (10 PCS)	65158242		●																			
0214	CLIP (2 PCS)	65158239		●																			
0215	TEMPERATURE PROBE	65158316		●																			
0216	O-RING 3.75X1.8 (10 PCS)	65158146		●																			
0218	O-RING 15X2.65 (10 PCS)	65158339		●																			
0219	O-RING 11.6X2.65 (10 PCS)	65158273		●																			
0223	CLIPS (ANTI-FREEZE ELECTRIC HEATING)	65158331		●																			
0226	O-RING 18X2.65 (10 PCS)	65158324		●																			
0227	HANDLE	65158321		●																			
0228	SUPPORT FOR HANDLE	65158322		●																			
0229	FLOW REGULATOR	65158325		●																			
0230	ANTI-FREEZE HEATING (INDOOR)	65158311		●																			
0231	TEMPERATURE SENSOR SUPPORT	65158323		●																			

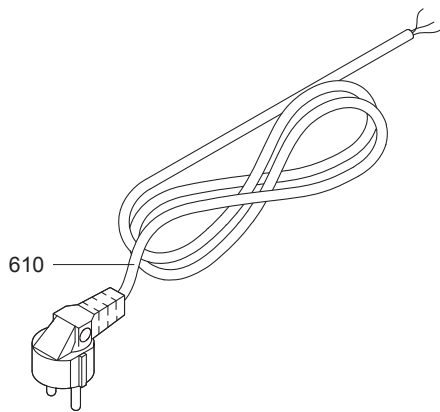
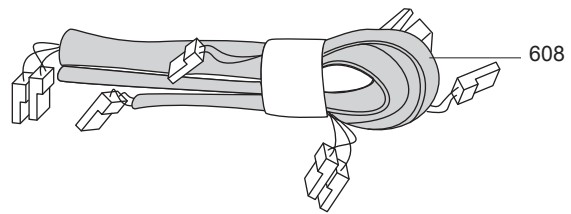
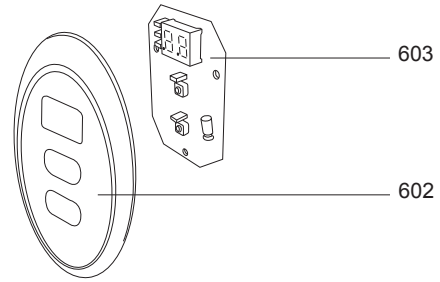
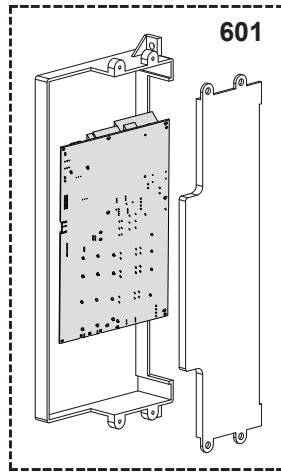
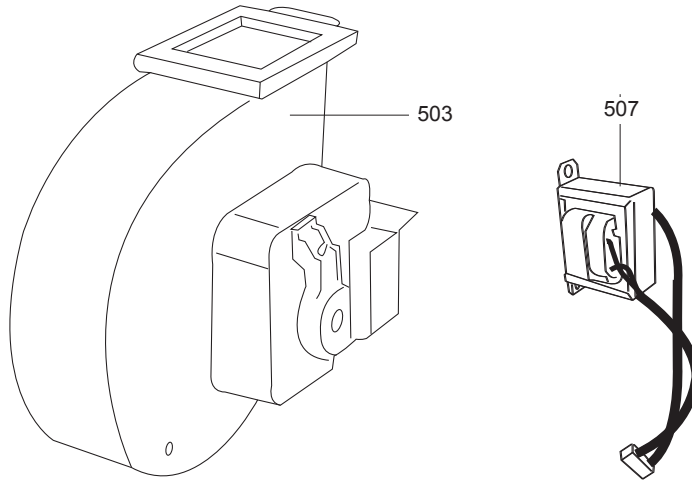












☉⇒	Description	Manf. Pt. N	Type	10 L																		31			
				1	2	3	4	5	6	7	8	9	10	11	12	13	14	15	16	17	18	From	to		
<b>0500</b>	<b>FAN ASSEMBLY</b>																								
0503	FAN (Assembly)	65158287		•																					
0507	TRANSFORMER	65158305		•																					
<b>0600</b>	<b>ELECTRICAL BOX</b>																								
0601	P.C.B. (MAIN)	65158301		•																					
0602	DISPLAY PCB PLASTIC BOX	65158307		•																					
0603	P.C.B. (DISPLAY)	65158313		•																					
0608	WIRING LOOM	65158303		•																					
0610	POWER CABLE	65158888		•																					

## LIST OF THE ABBREVIATIONS

HW .....	: Hot water.
CW .....	: Cold water.
C .....	: Ceramic resistance (normal heating).
Ca .....	: Ceramic resistance (accelerated heating)
TP .....	: Immersion heater.
1F .....	: With fittings.
2F .....	: Without fittings.
3F .....	: With fittings and another outlet connection.
AMI .....	: With mixing valve.
SMI .....	: Without mixing valve.
PUISS .....	: Power of th appliance.
PN .....	: Appliance with normal pression.
LP .....	: Appliance with low pression.
PV .....	: Appliance with variable power.
PF .....	: Appliance with fixed power.

## IDENTIFICATION PLATE

### SERIAL NUMBER

**6 Characters :**  
 Year of manufacture ———— 03 09 08 ———— Manufacturing day  
 Month of manufacture

**9 Characters :**  
 Year of manufacture ———— M 12 10 0606 ———— Sequential number  
 Month of manufacture

**14 Characters :**  
 SI-V-0B0 45 07 0001  
 Sequential number  
 Year of manufacture : —————→ 6 → 2004  
 Month of manufacture : → 25 → January 43 → July 7 → 2005  
 13 → February 29 → August 8 → 2006  
 32 → March 40 → September etc ...  
 35 → April 38 → October  
 39 → May 51 → November  
 45 → June 12 → December

**15 Characters :**  
 Year of manufacture ———— 02 11 00001 007843 ———— Code appareil  
 Month of manufacture Sequential number

**21 Characters :**  
 3200050 XX 08115 0000001  
 Product reference ———— Sequential number  
 Year (08) / Manufacturing day (115)

**22 Characters :**  
 3200050 XX 070115 0000001  
 Product reference ———— Sequential number  
 Year (07) / Month (01) / Manufacturing day (15)

The indications mentioned on the prices, commercial or technical literature and the scheme are written for your guidance and are available at a given time. The CONSTRUCTOR retains the power to modify the presentation, the form, the size, the conception or the material of the products.